

FILTRI A CESTELLO
STRAINERS BASKET TYPE

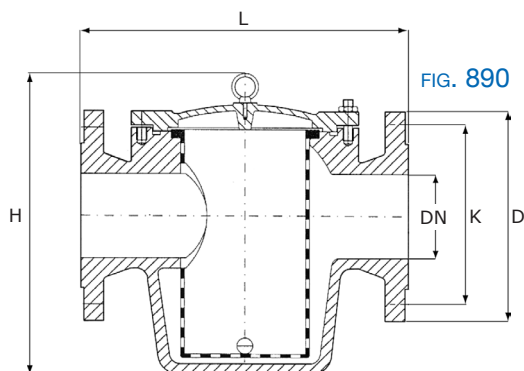


FIG. 890
Filtri a cestello a via diritta attacchi a flangia
Strainers basket type straight pattern flanged ends

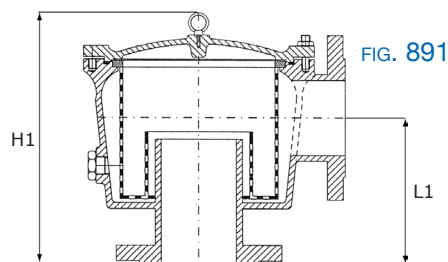


FIG. 891
Filtri a cestello ad angolo retto attacchi a flangia
Angle stayers basket type flanged ends

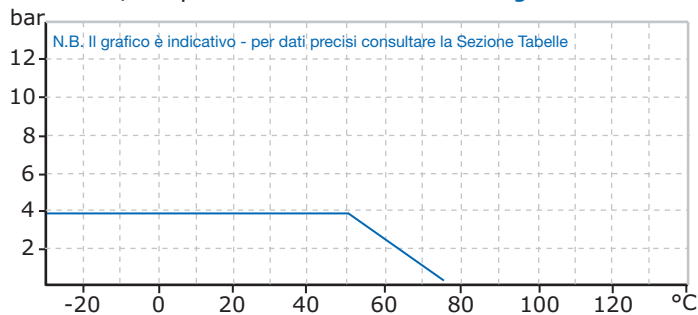
Materiali - Composition

ESEC.	CORPO <i>BODY</i>	FILTRO <i>FILTER</i>
G	GHISA SFEROIDALE <i>NODULAR CAST IRON</i> Gs.2	ACCIAIO INOX <i>STAINLESS STEEL</i> I2.1
B	BRONZO <i>BRONZE</i> B2.3	ACCIAIO INOX <i>STAINLESS STEEL</i> I2.1

Applicazioni Application

Aspirazione acqua mare di raffreddamento e dei sistemi di sentina.
Suction seawater cooling and bilge systems.

Pressione/temperatura di esercizio - Rating



Foro standard del cestello **DN 25 ÷ DN 65 = 5 mm**
Standart basket hole **DN 80 ÷ DN500 = 8 mm**

Dimensioni Dimensions mm.

FIG.	DN	40	50	65	80	100	125	150	200	250	300	350	400	450	500	
890	L	200	230	290	310	350	400	480	600	600	700	800	940	1000	1000	
	H	210	225	265	300	340	415	465	575	620	660	740	1000	1060	1140	
	Kg.	12,0	12,0	23,0	28,0	39,0	63,0	84,0	155,0	175,0	235,0	300	350,0	480,0	555,0	
891	L1	125	135	150	175	195	220	270	300	390	450	400	420	500	550	
	H1	250	260	275	350	365	425	480	550	665	795	735	1000	1020	1020	
	Kg.	13,0	18,0	22,0	31,0	46,0	62,0	89,0	133,0	163,0	175,0	230,0	320,0	460,0	700,0	
foratura Flange - drilling	PN 6	D	130	140	160	190	210	240	265	320	375	440	490	540	595	645
		K	100	110	130	150	170	200	225	280	335	395	445	495	550	600
		n.fori Ø	4 - 14	4 - 14	4 - 14	4 - 18	4 - 18	8 - 18	8 - 18	8 - 18	12 - 18	12 - 22	12 - 22	16 - 22	16 - 22	20 - 22
PN 10	D	150	165	185	200	220	250	285	340	395	445	505	460	615	670	
	K	110	125	145	160	180	210	240	295	350	400	460	410	565	620	
	n.fori Ø	4 - 18	4 - 18	4 - 18	8 - 18	8 - 18	8 - 18	8 - 22	8 - 22	12 - 22	12 - 22	16 - 22	16 - 26	20 - 26	20-26	
PN 16	D	150	165	185	200	220	250	285	340	405	460	520	580	640	715	
	K	110	125	145	160	180	210	240	295	355	410	470	525	585	650	