

PN16

VALVOLE A SFERA A 3 VIE

3 WAYS BALL VALVES

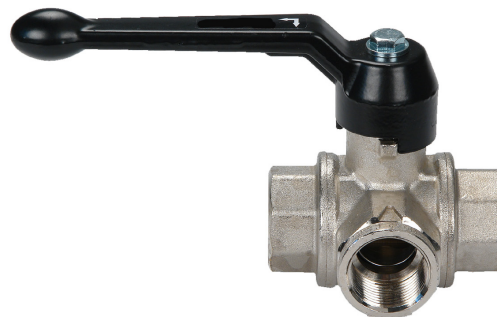
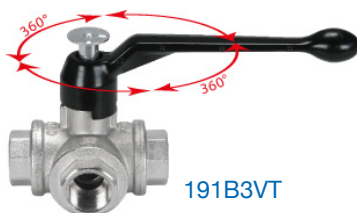
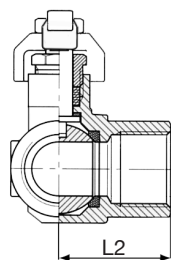
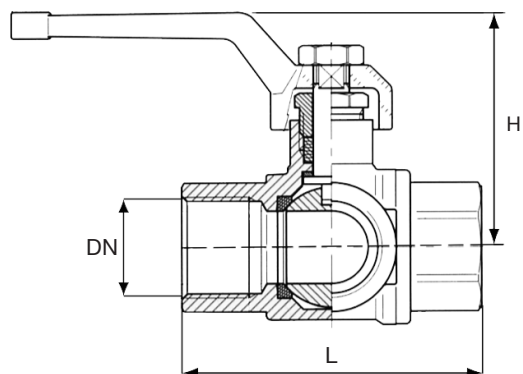


FIG. 191B3V



191B3VT

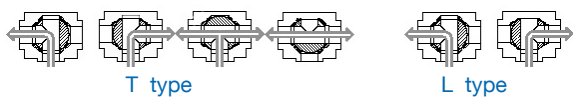


FIG. 191B3V

Valvole a sfera a passaggio ridotto a tre vie PN16 manovra ad L o a T
attacchi a manicotti filettati GAS (femmina)

Ball valves full bore tree-way PN16 L or T type
GAS screwed ends female.

Materiali - Composition

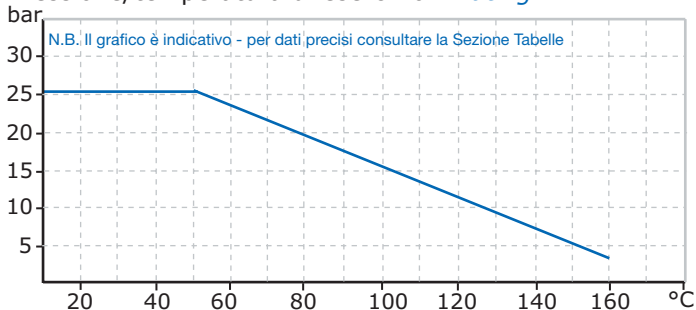
CORPO BODY	SFERA BALL	SEDI SEAT RING	FLANGE FLANGES
OTTONE NICHELATO NICKEL-PLATED BRASS	OTTONE CROMATO CHROMIUM-PLATED BRASS	PTFE	OTTONE NICHELATO NICKEL-PLATED BRASS

Applicazioni Application

Acqua fredda o calda, acqua mare, fluidi non aggressivi

Cold or hot water ,sea water and other non- aggersive fluids

Pressione/temperatura di esercizio - Rating



Dimensioni Dimensions mm.

Fig.	DN INCH	1/4"	3/8"	1/2"	3/4"	1"	1.1/4"	40 1.1/2"	50 2"	3"
191B3VL	L	52	55	69	77	89	103	114	134	-
	L2	26	27	33	38	46	54	61	73	-
	H	61	61	64	76	80	98	104	119	-
	Kg.	0,79	0,79	0,79	1,25	1,95	2,70	4,25	6,70	-
191B3VT	L	71	71	80	96	113	130	147	169	202
	L2	35	35	40	48	57	65	73	84	100
	H	85	85	85	98	102	121	125	141	141
	Kg.	0,96	0,96	1,35	1,50	1,90	3,50	5,90	8,1	10